

Packaging for your success.



Fascination *beck-StandardPLUS*

beck packautomaten: *Packaging your success.*

We have been in business for 60 years. One thing has always remained the same: the joy of packaging. Hans Beck developed the first film packaging machine in 1958. We are among the best in the market to date.

***Refining in the second
and third generation.***



The packaging is the finishing touch for your product. The icing on the cake so that it arrives well presented and well protected to your customer. The packaging gives the famous first impression for which there is no second chance. And in turn we are the first choice for this.



There are products with challenging shapes in every industry. For example frying pans. Ladders. Work trousers. Paper bags. Ketchup bottles. Grinding wheels. Plug sets or cup stacks. We package all these with our machines.

At home in every industry.

Reliability and fairness are our first priority. For our customers and employees. We see ourselves working together with your team without unnecessary fuss, but always with appreciation. One of the reasons some of our original customers have been with us since the company's founding.

Long-term commitment.

We supply a variety of packaging machines from the individual machine to the packaging line to the whole world every year. In doing so, the subject of worldwide service is important for us. Because our machines remain dependable for you for decades with good care, maintenance and regular updates.

Service in five continents.

You can count on our machines for decades. We pay attention to first-class machining and only use high quality components. Our machines are also easily accessible. You reach the important places quite easily if something has to be adapted for new requirements.

Not for ever. But almost.

Everything starts with your customer requirement. Then we design and build the ideal packaging system for you. Including training. And during the whole time, you have a personal contact person with us who is there for you for all questions.

Co-operation down to the last detail.

Our machines also function outstandingly in a team, namely as a packaging line – for example, if you want to print a film between two packaging steps, need a label, or if individual products should be grouped before the packaging.

Our beck-StandardPLUS principle

Types of Packaging

Packaging Solutions

Industries



4-sided sealing



3-sided sealing



Sleeve wrapping



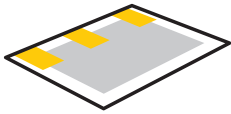
Euro hole



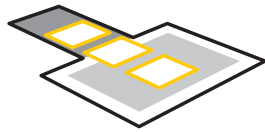
Carrying handle



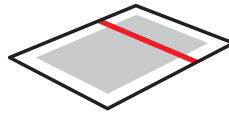
Carrying strap



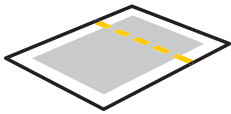
Print image



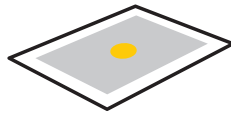
Labelled packaging



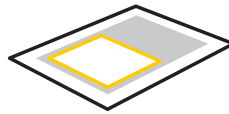
Tear-open strip



Tear-open perforation



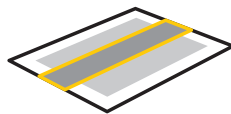
Green dot



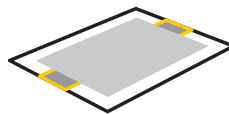
Packaging with insert



Marked packaging



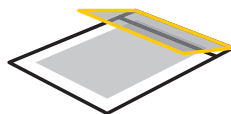
Overlap above



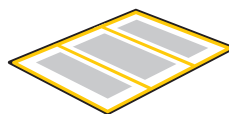
Overlap below



Shipping bag



Resealable bag



Set packaging

Content

The Company

PAGE 2/3

Types of Packaging
Packaging Solutions
Industries

PAGE 4/5

Serienpacker

PAGE 6/7

Form shoulder machines

PAGE 8/9

Sleeve wrapping machines
Shrink tunnels

PAGE 10/11

E-Commerce
Mail order

PAGE 12/13

Service
Spare parts

PAGE 14/15



Serienpacker: Unique as a matter of principle.



beck-Serienpacker SXJ

You set the pace. With our pulsed SXJ for optimum product handling as a stand-alone solution or as a customer-specific packaging line.

Technical Details

Product width:	80 – 500 mm*
Max. product height:	120 mm*
Max. output:	100 cycles/min.*
<small>* depending on product, feeding and film</small>	



beck-Serienpacker SXJ HP

High and sensitive products in stacks and in mixed operation. Our SXJ HP excels for these conditions.

Technical Details

Product width:	170 – 400 mm*
Max. product height:	250 mm*
Max. output:	50 cycles/min.*
<small>* depending on product, feeding and film</small>	

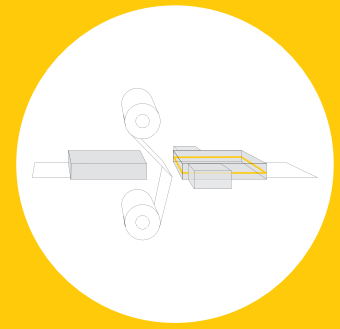


◆ **Pressure plate**

The pressure plate presses the air out of the packaging and compresses the product.



Tension-free, rectangular and elegant packages. That is packaging with the beck Serienpacker. For stylish packaging with sealing on 4 sides. Adapted to your specific requirements.



beck-Serienpacker SXJ mobil

High cycle rate and gentle product transport is the special field of the SXJ mobil. Its travelling sealing tool ensures exact product handling in high performance production.

Technical Details

Product width:	80 – 500 mm*
Max. product height:	100 mm*
Max. output:	120 cycles/min.*
<small>*depending on product, feeding and film</small>	



beck-Serienpacker SX

The larger the better. Whether standard or special tasks: the SX particularly gets into gear for large-format products.

Technical Details

Product width:	400 – 900 mm*
Max. product height:	250 mm*
Max. output:	50 cycles/min.*
<small>*depending on product, feeding and film</small>	



- ◆ **multiple belt conveyor system**
The special belt design enables the tight packaging of many different product sizes on one machine.



- ◆ **Grab feeding system**
We feed the packaging machines with multi-component products or straight-edged stacks.

Form shoulder machines: Versatile and flexible.



beck-Multiplex MP 240 XP

The pulsed beck-Multiplex MP 240 XP provides many variants and integrates perfectly in every work process.

We also provide the beck Multiplex MP-pico as a starter model.

Technical Details

Product width:	20 – 400 mm*
Max. product height:	250 mm*
Max. output:	100 cycles/min.*
<small>* depending on product, feeding and film</small>	



beck-Multiplex MP mobil

The name says it all, because the MP mobil compensates for every difference in the same process: whether different product lengths or unequal spacing. The travelling sealing tool and an intelligent control concept ensure consistently reliable goods transport with high performance.

Technical Details

Product width:	20 – 400 mm*
Max. product height:	120 mm*
Max. output:	120 cycles/min.*
<small>* depending on product, feeding and film</small>	

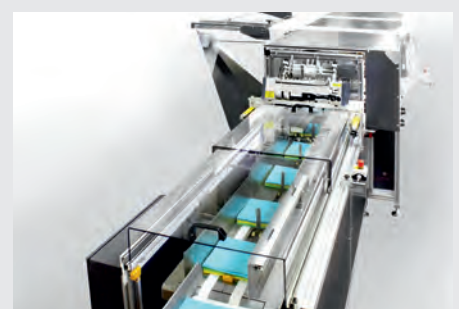


◆ **Folding aggregate**

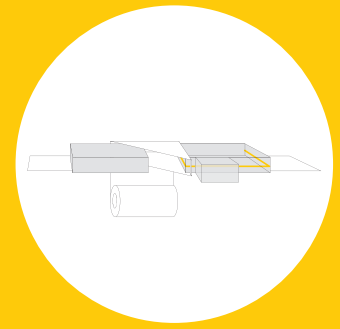
The folding unit enables the use of flat film.

◆ **Feeding systems / loading systems**

Automatic feeding and takeover of the products.



These machines form, fill and seal everything easily: they integrate into existing work processes or upstream units. They seal on three sides or overlapping, and if required they do so in bigger dimensions.



beck-Multiplex MP 1070 X

Think in large dimensions. Due to its large working area, the MP 1070 X enables the packaging of large format and high volume round and flat products.

Technical Details

Product width:	100 – 700 mm*
Max. product height:	300 mm*
Max. output:	40 cycles/min.*
<small>*depending on product, feeding and film</small>	



beck-Fitpacker F 1050 SX

Unique for high demands. The beck-Fitpacker F 1050 SX is specialized in packaging high volume products extremely tight, doing so without shrinking.

Technical Details

Product width:	100 – 500 mm*
Max. product height:	310 mm*
Max. output:	40 cycles/min.*
<small>*depending on product, feeding and film</small>	



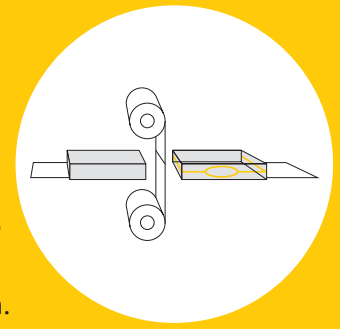
◆ **Peripherals**
Infeed with friction feeder for single sheets.

Corner push in device ◆
Tight fitting packaging also for high product stacks.



Sleeve wrapping machines: Genuine all-rounders.

Package whatever and how you would like to. Our sleeve wrapping machines are available for everything: packaging of individual pieces and multiple-piece units, as a stand-alone solution, or integrated in a production line. On-line or with collection and grouping station.



beck-Sammelpacker KV 600 HP on-line

The KV 600 HP on-line with the decisive plus in flexibility able for being used in many different production lines.

Technical Details

Max. working width:	600 mm*
Max. passage height:	280 mm*
Max. output:	30 cycles/min.*
<small>* depending on product, feeding and film</small>	



beck-Sammelpacker KV 600 HP pneumatic

The KV 600 HP pneumatic with lateral feeding, collection, grouping and transfer unit, as well as pneumatic feeding station. All this is adapted to your individual demands.

Technical Details

Max. working width:	600 mm*
Max. passage height:	340 mm*
Max. output:	25 cycles/min.*
<small>* depending on product, feeding and film</small>	



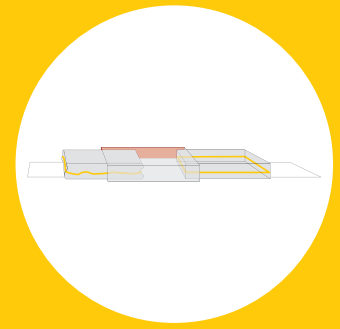
◆ **Feeding systems / loading systems**
Automatic feeding and takeover of the products.

beck-Servopack KV 602 D ▶
Our beck-Servopacker KV 602 D for high output.



Shrink tunnels: Brilliant results.

Brilliant shrink results for your requirements. Our shrink tunnels are available even in the standard version in multiple sizes and performance ranges, and with transport bars or chain link conveyor.



beck-Thermoschrumpfer HV Standard

Brilliant results in efficiency matters. With its special insulation and air flow technology, the shrink tunnel provides a perfect high quality shrink-wrapping result.

Technical Details

Max. passage width:	600/800/1000/ 1200/1400 mm
Max. passage height:	220 mm*
* extension possible	



beck-Thermoschrumpfer HV High Performance

This shrink tunnel achieves amazing high performance. Being designed for challenging demands and high speeds.

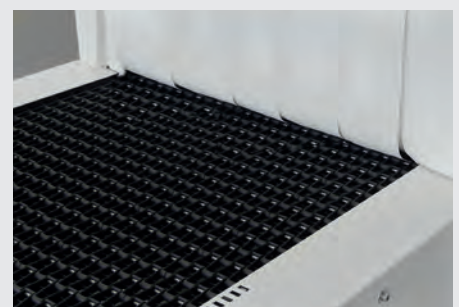
Technical Details

Max. passage width:	600/800/1000/ 1200/1400 mm
Max. passage height:	220 mm*
* extension possible	

**We also develop
and manufacture
special solutions.**



◆ Bar transport



Chain link conveyor ◆

Serienpacker for E-commerce and mail order: Back and forth with success.



beck-Serienpacker SXJ svs

The attractively priced starter model for small format mail order products. Stable extra strong sealings provide transport safety and security against theft.

Technical Details

Product length:	unlimited
Product width:	50 – 300 mm*
Max. product height:	120 mm*
Max. performance:	30 cycles/min.*
<small>*depending on product, feeding, labelling and film</small>	



beck-Serienpacker SXJ HP vs

Mail order packaging with always the same bag size for a wide range of products. Stable extra strong sealings provide transport safety and security against theft.

Technical Details

Product length:	unlimited
Product width:	100 – 400 mm*
Max. product height:	250 mm*
Max. performance:	30 cycles/min.*
<small>*depending on product, feeding, labelling and film</small>	

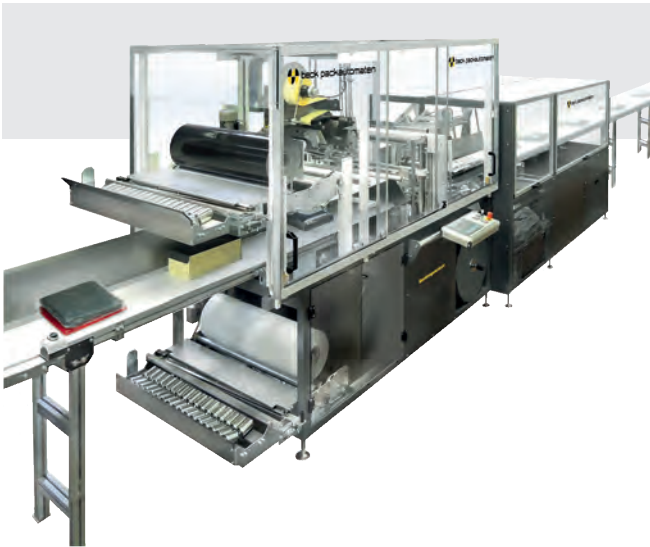
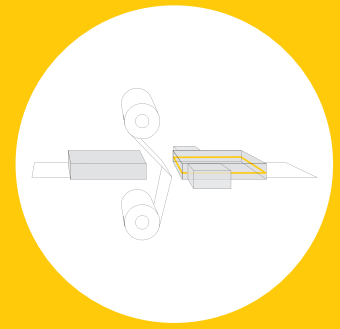


◆ Labelling



Carrying handle ◆

Whether the same size or adapted for the product. With printed film or with clear view to the product. Our Serienpackers for the E-commerce industry meet many different requirements. With scanning and labelling, including continuous product tracking – this is our standard.



beck-Serienpacker SXJ HP adapta vs

That fits. Always. With the SXJ HP adapta vs, you can easily adjust the size of your bag to the individual size of your product. Stable extra strong sealings provide transport safety and security against theft.

Technical Details

Product length:	100 – 600 mm*
Product width:	100 – 400 mm*
Max. product height:	220 mm*
Max. performance:	30 cycles/min.*
<small>*depending on product, feeding, labelling and film</small>	



beck-Return machine SXJ HP adapta rt

A clear matter. The SXJ HP adapta rt combines all the advantages of the SXJ HP adapta vs with the specialities of a returns machine. Thin, visually attractive sealings for transparent film provide a reproduction of the original visual appearance.

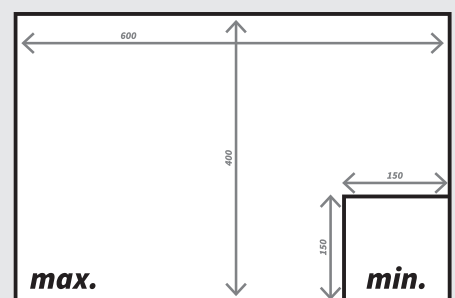
Technical Details

Product length:	100 – 600 mm*
Product width:	100 – 400 mm*
Max. product height:	220 mm*
Max. performance:	30 cycles/min.*
<small>*depending on product, feeding, labelling and film</small>	

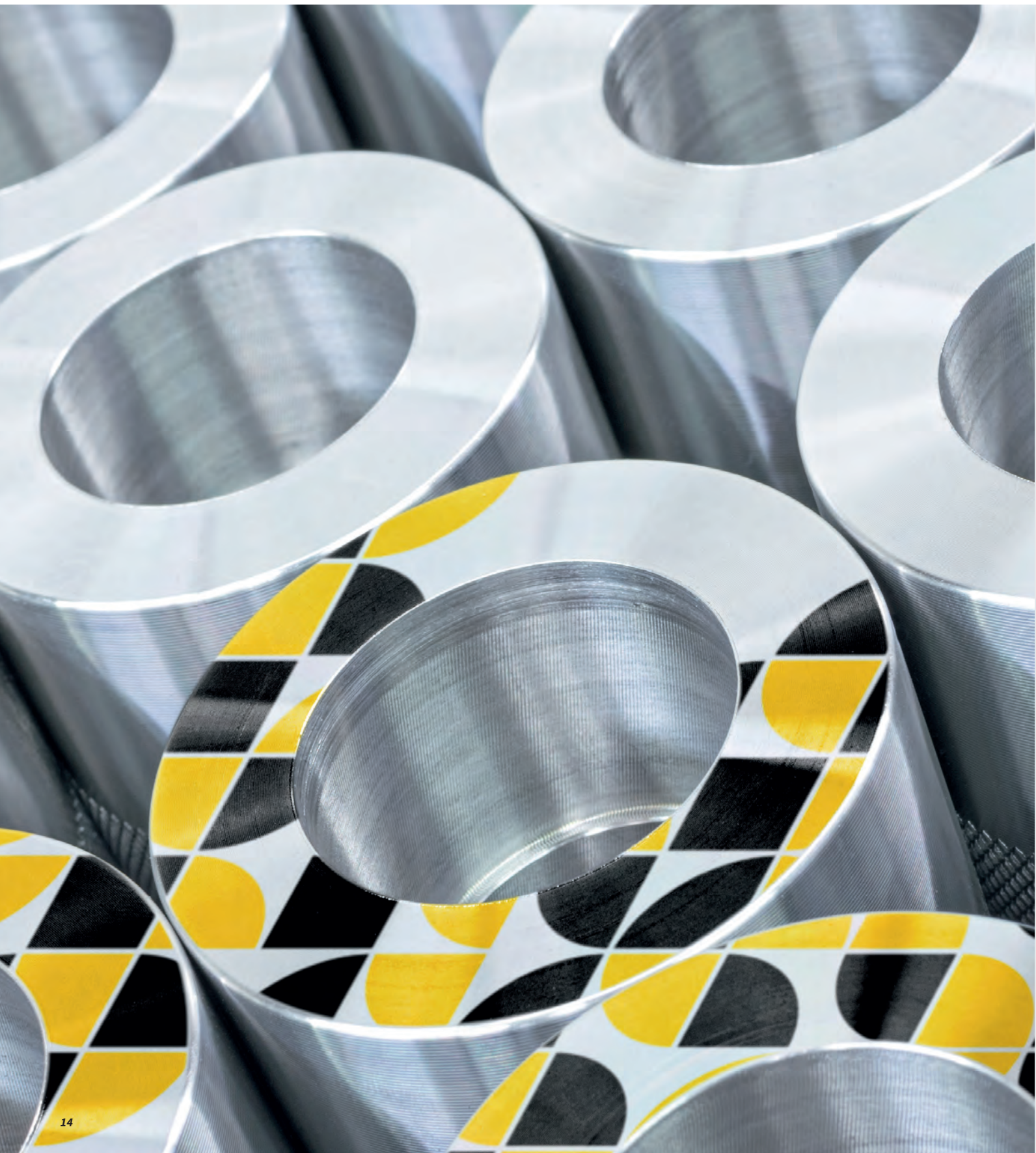


◆ Discharge

Belt with marking ◆



First-class machines.
First-class service.



Our joint success story is still continuing when your film packaging machine is delivered. Because we also have many services for you, from training to express spare parts to remote maintenance in a time-critical emergency.



On your premises or in our training centre, as a quick run-down for the most important things or intensively down to the smallest detail, for one or also several of your employees at various levels.

Training

In an emergency, we have an eye on your machine via remote maintenance. We can resolve most of your enquiries with this, or our telephone advice and on-line support in a short time. In German or English and also in the respective country language by the national agency. For sure skilled technicians are available for service on-site.

Technical Service

Maintenance according to requirement: monthly, quarterly, once per year or during your high season – in every case a plus for your production reliability. And if your packaging machine needs a general overhaul, we complete this optionally on your premises or ours.

Maintenance and general overhaul

We guarantee that you can obtain every spare part from us within ten years from purchase of the machine – and quickly: the express delivery is there within 24 hours. Many customers also order a complete package of spare parts so that they are directly in stock in the worst case scenario.

Spare parts

You can adapt many things on your machine to new requirements yourself; among other things, the good accessibility provides this. If it is more complex, we take charge of the conversion or also an extension. Because our packaging machines also grow with your tasks.

Conversion and retrofitting

Packaging for your success.

